



TECUMSEH HERMETIC CONDENSING UNIT

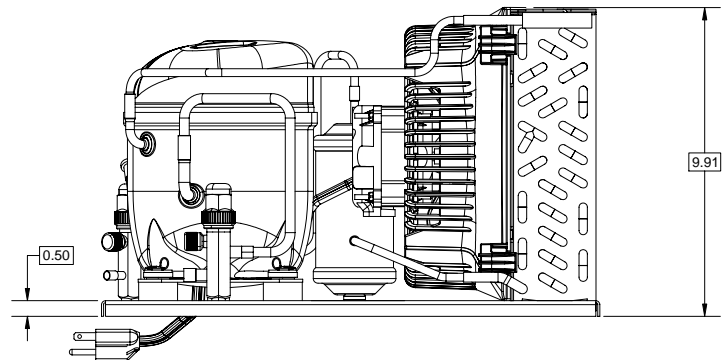
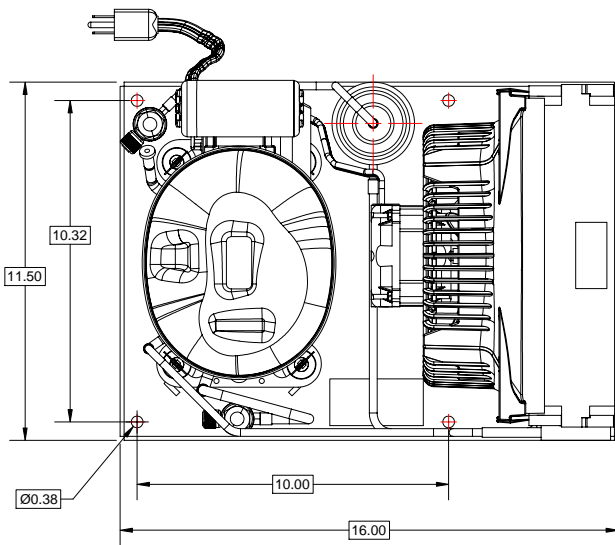
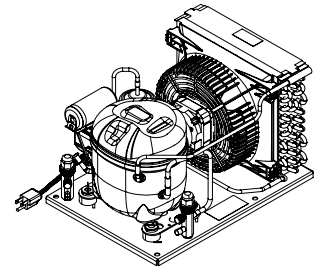
AE4440Y-AA1ASK

Revision: REL

January 9, 2012

Model AE4440Y-AA1ASK, SB, SC, SS
BOM 32F360-39, -49, -59, -69

Air Cooled 1/3 HP
Application High Temp
Refrigerant R 134a



Model	Dimensions			Line Connections		Pumpdown	AirFlow	Oil Ch.	Gross weight
	L	W	H	Suction	Liquid	90% @90°F	CFM	Oz.	Lbs.
AE4440Y-AA1ASK	16.0	11.5	9.9	5/16" Sweat	1/4" Sweat	n/a	190	9.5	38.10
AE4440Y-AA1ASB						1.83			38.70
AE4440Y-AA1ASC				3/8" Valve Sweat	1/4" Valve Sweat	n/a			39.50
AE4440Y-AA1ASS						n/a			38.90

Factory charge 20 PSIG dry air, **MUST BE EVACUATED**

Evaporator		Ambient Temperatures															
		80°F				90°F				100°F				110°F			
T, °F	PSIG	BTUH	Watts	Head	Cond T	BTUH	Watts	Head	Cond T	BTUH	Watts	Head	Cond T	BTUH	Watts	Head	Cond T
10	12.1	2023	374	122	99	1882	385	143	108	1704	396	166	118	1566	402	188	126
15	15.2	2260	393	127	101	2105	406	148	111	1927	418	171	120	1763	429	195	128
20	18.6	2511	414	132	104	2337	431	154	113	2155	443	177	122	1967	458	202	131
25	22.3	2775	438	138	106	2580	457	161	116	2387	472	184	125	2177	489	210	133
30	26.3	3053	464	144	109	2833	486	168	119	2623	502	191	127	2394	523	218	136
35	30.6	3344	492	152	112	3097	517	176	122	2863	536	200	130	2617	560	227	139
40	35.2	3649	522	159	115	3371	550	184	125	3108	573	209	133	2847	599	236	142
45	40.3	3966	555	168	119	3655	585	193	128	3357	612	218	136	3084	640	246	145
50	45.6	4298	590	177	122	3949	623	203	131	3611	654	229	139	3327	684	257	148
55	51.4	4643	627	187	126	4253	663	214	135	3868	699	240	143	3576	730	268	152

Performance @ 60 Hz, Return gas 65°F, SubCooling 5°F

Parts/Specifications

Unit BOM	32F360-39	Condenser	506-G331
Unit MODEL	AE4440Y-AA1ASK	Shroud	108-G001
		Fan Guard	116-001P
Refrigerant	R134a	Power Cord	85106-10
Refrigeration RANGE	20°F to 55°F		
Design Pressure Low	150	Unit drawing DGU	DGU1896-G102
Design Pressure High	300	Electrical Diagram	DEAE-10
Volts - HZ - Ph	115V ~ 60HZ		
Voltage Range	103.5 - 126.5		
Min. Circuit Ampacity	11.51	Unit BOM	32F360-49
Max. Fuse Size	20	Unit MODEL	AE4440Y-AA1ASB
		Liquid Receiver	51085-1
Compressor MODEL	AE4440Y-AA1A		
Compressor BOM	AE-1022-E	Unit BOM	32F360-59
Compressor LRA	32	Unit MODEL	AE4440Y-AA1ASC
Compressor RLA	5.82	Liquid Receiver	51085-1
OverLoad	830-10024	Liquid Valve	56605
Relay	820-10031	Suction Valve	56604
Run Capacitor			
Run Capacitor Rating			
Start Capacitor	85PS165D64	Unit BOM	32F360-69
Start Capacitor Rating	324-389 MFD 165V	Unit MODEL	AE4440Y-AA1ASS
		Liquid Valve	56605
Fan Motor	NUT6B09PUN301	Suction Valve	56604
Fan Motor RLA	0.58		
Fan Blade	4VEA010		

